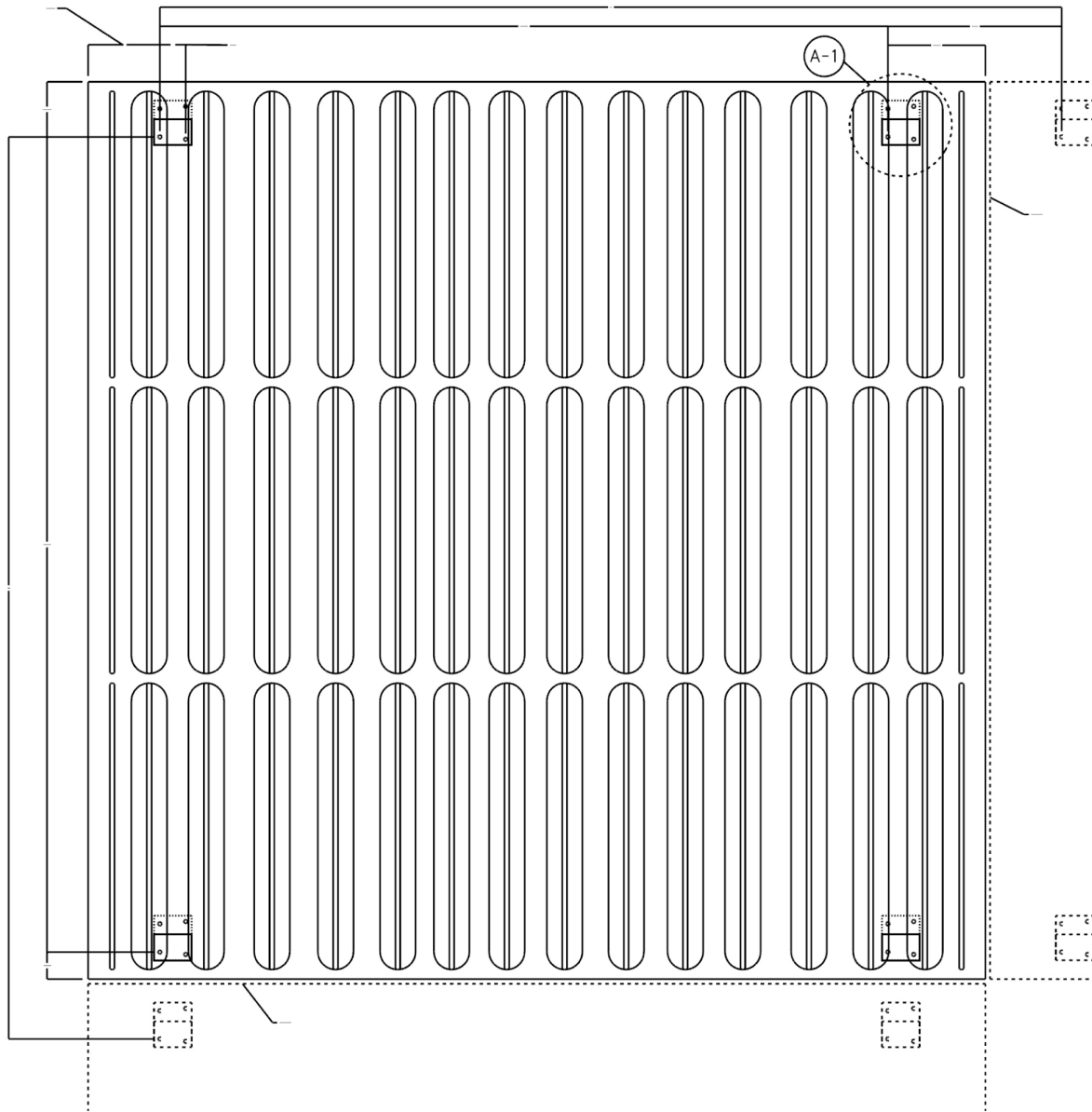


# DIFFUSE 4' X 4' MOUNTING TEMPLATE

(FRONT/ELEVATION VIEW)



**NOTES:**

1. DRAWING APPROPRIATE FOR Z-CLIP MOUNTING ONLY. FOR STAINLESS STEEL STANDOFF OR FOAM PANEL MOUNTING REFER TO THE APPROPRIATE DRAWING.
2. ALL MOUNTING HARDWARE FEATURE PROVISIONS FOR #8 STANDARD FASTENERS.
3. ALWAYS USE ANCHOR APPROPRIATE FOR MOUNTING TO SUBSTRATE.

DIMENSIONS ARE IN INCHES  
UNLESS OTHERWISE SPECIFIED  
TOLERANCES:  
XX = ± .010, XXX = ± .005  
FRACTIONAL = ± 1/64  
ANGULAR = 1°

MATERIAL:  
FINISH:  
DO NOT SCALE DRAWING

	NAME	DATE
DRAWN		
CHECKED		
ENG. APPR.		
MFG. APPR.		

ARITHMETIC

P.O. BOX 11074  
DENVER, CO 80211 TEL: 720-255-1604

THIS DOCUMENT AND THE PROPERTY CONTAINED HEREIN IS THE PROPERTY OF ARITHMETIC DESIGN. ANY REPRODUCTION, DISCLOSURE OR USE THEREOF, IS PROHIBITED, EXCEPT AS AUTHORIZED, IN WRITING, BY ARITHMETIC DESIGN, INC. THE RECIPIENT ACCEPTS THE RESPONSIBILITY FOR MAINTAINING THE CONFIDENTIALITY OF THE CONTENTS OF THIS DOCUMENT.

PART NO. <b>4' X 4' DIFFUSE</b>		REV. <b>A</b>
TITLE: <b>DIFFUSE INSTALL TEMPLATE</b>		
SCALE:	SHEET:	SHEET 1 OF 2

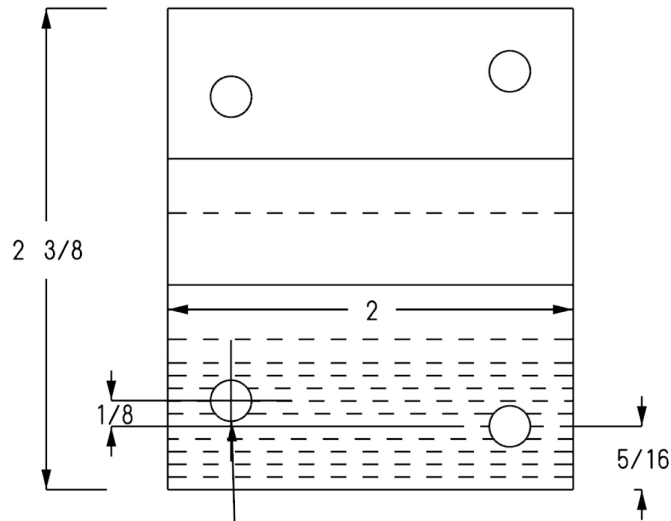
# DIFFUSE 4' X 4' MOUNTING TEMPLATE

## DETAIL A-1 (Z-CLIP HARDWARE DETAIL)

(PERSPECTIVE VIEW)

(FRONT/ELEVATION VIEW)

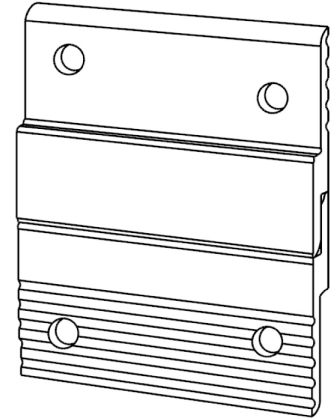
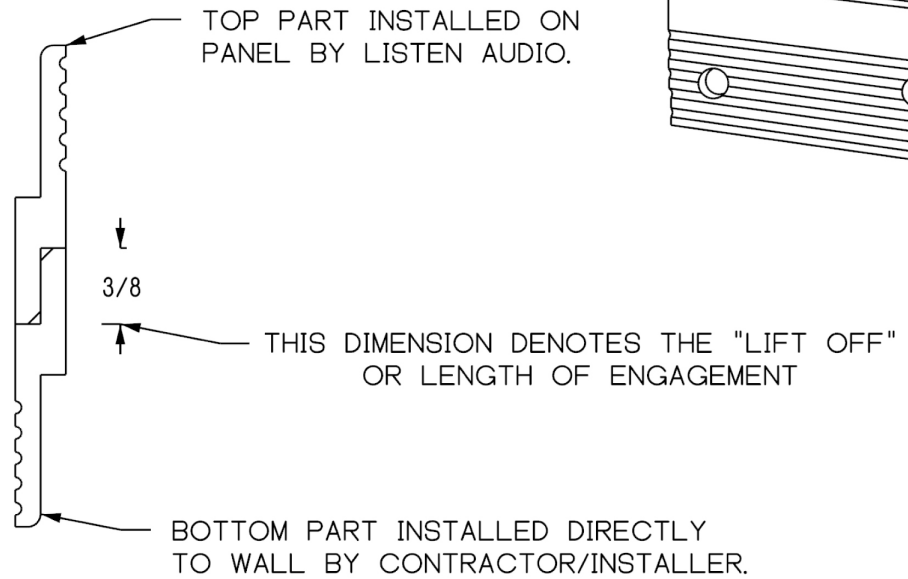
ASSEMBLY COMPRISED OF TWO IDENTICAL PARTS



Ø13/64 X 2 OFFSET  
1/8" VERTICALLY

(PROVISIONED FOR STANDARD  
#8 FASTENER AS APPROPRIATE  
FOR MOUNTING TO SUBSTRATE)

(SIDE VIEW)



DIMENSIONS ARE IN INCHES  
UNLESS OTHERWISE SPECIFIED  
TOLERANCES:  
XX = ± .010, XXX = ± .005  
FRACTIONAL = ± 1/64  
ANGULAR = 1°

	NAME	DATE
DRAWN		
CHECKED		
ENG. APPR.		
MFG. APPR.		

**ARITHMETIC**

P.O. BOX 11074  
DENVER, CO 80211 TEL: 720-255-1604

THIS DOCUMENT AND THE PROPERTY CONTAINED HEREIN IS THE PROPERTY OF ARITHMETIC DESIGN. ANY REPRODUCTION, DISCLOSURE OR USE THEREOF, IS PROHIBITED, EXCEPT AS AUTHORIZED, IN WRITING, BY ARITHMETIC DESIGN, INC. THE RECIPIENT ACCEPTS THE RESPONSIBILITY FOR MAINTAINING THE CONFIDENTIALITY OF THE CONTENTS OF THIS DOCUMENT.

MATERIAL:	COMMENTS:
FINISH:	
DO NOT SCALE DRAWING	

PART NO.	4' X 4' DIFFUSE
TITLE:	DIFFUSE INSTALL TEMPLATE
REV:	A