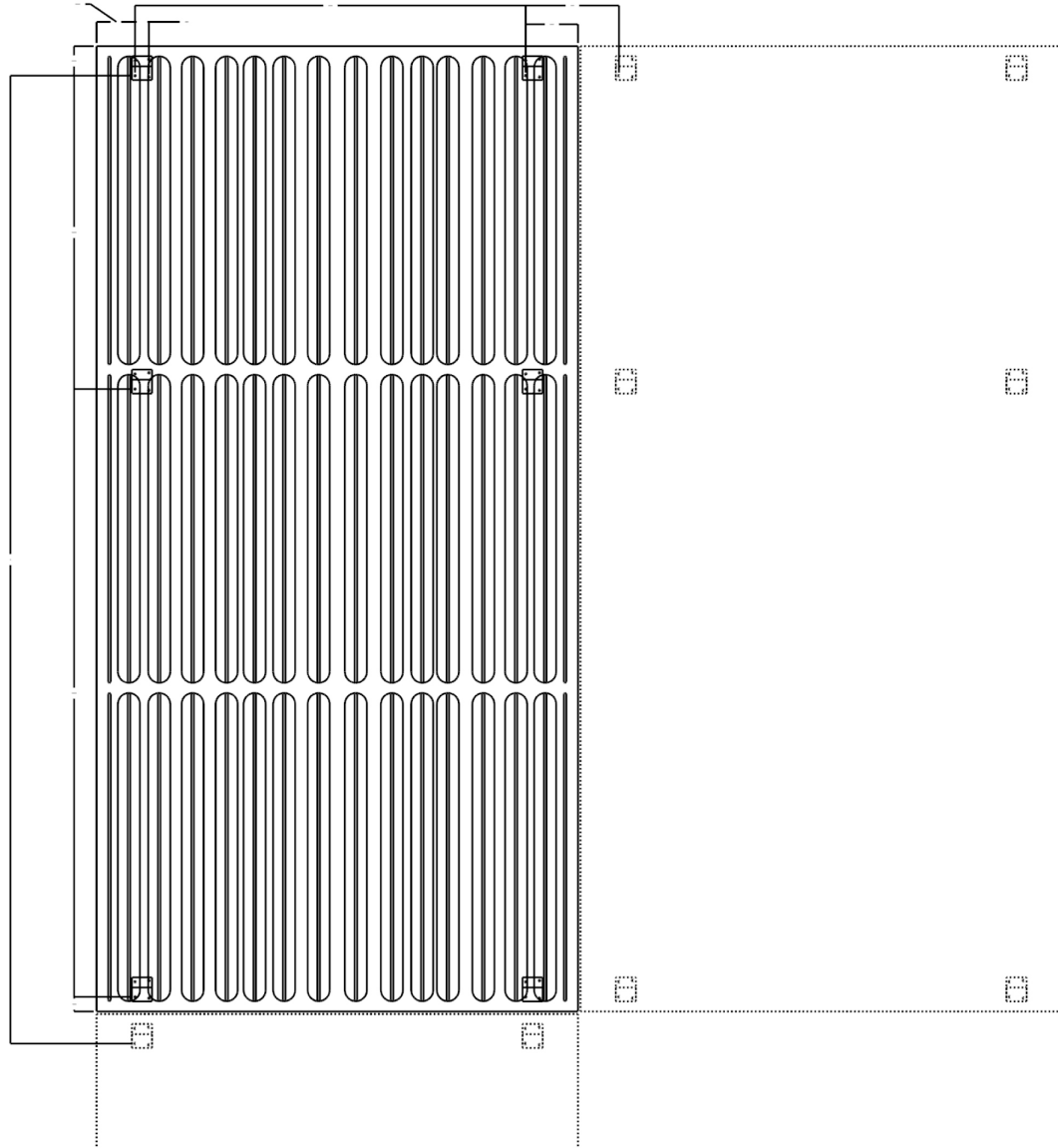


DIFFUSE 4' X 8' MOUNTING TEMPLATE

(FRONT/ELEVATION VIEW)



NOTES:

1. DRAWING APPROPRIATE FOR Z-CLIP MOUNTING ONLY. FOR STAINLESS STEEL STANDOFF OR FOAM PANEL MOUNTING REFER TO THE APPROPRIATE DRAWING.
2. ALL MOUNTING HARDWARE FEATURE PROVISIONS FOR #8 STANDARD FASTENERS.
3. ALWAYS USE ANCHOR APPROPRIATE FOR MOUNTING TO SUBSTRATE.

DIMENSIONS ARE IN INCHES
UNLESS OTHERWISE SPECIFIED
TOLERANCES:
XX = ± .010, XXX = ± .005
FRACTIONAL = ± 1/64
ANGULAR = 1°

	NAME	DATE
DRAWN		
CHECKED		
ENG. APPR.		
MFG. APPR.		

ARITHMETIC

P.O. BOX 11074
DENVER, CO 80211 TEL: 720-255-1604

THIS DOCUMENT AND THE PROPERTY CONTAINED HEREIN IS THE PROPERTY OF ARITHMETIC DESIGN. ANY REPRODUCTION, DISCLOSURE OR USE THEREOF, IS PROHIBITED, EXCEPT AS AUTHORIZED, IN WRITING, BY ARITHMETIC DESIGN, INC. THE RECIPIENT ACCEPTS THE RESPONSIBILITY FOR MAINTAINING THE CONFIDENTIALITY OF THE CONTENTS OF THIS DOCUMENT.

MATERIAL:

FINISH:

DO NOT SCALE DRAWING

COMMENTS:

PART NO.		A
4' X 8' DIFFUSE		
TITLE:		
DIFFUSE INSTALL TEMPLATE		
SCALE:	SHEET:	SHEET 1 OF 2

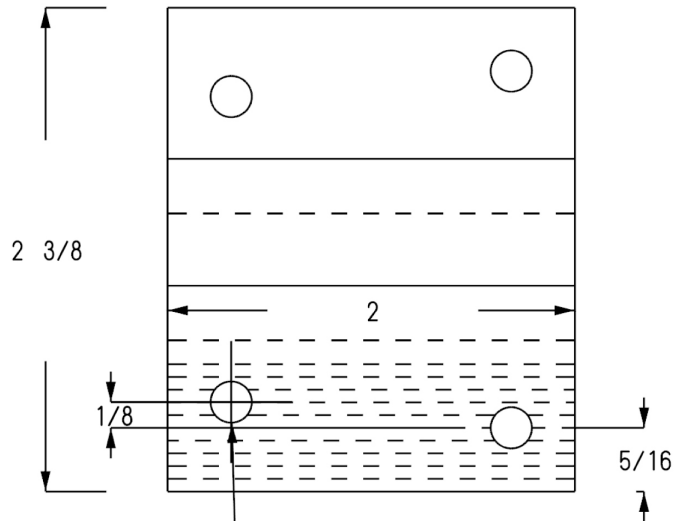
DIFFUSE 4' X 8' MOUNTING TEMPLATE

DETAIL A-1 (Z-CLIP HARDWARE DETAIL)

(PERSPECTIVE VIEW)

(FRONT/ELEVATION VIEW)

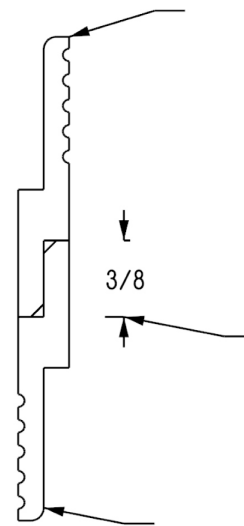
ASSEMBLY COMPRISED OF TWO IDENTICAL PARTS



Ø13/64 X 2 OFFSET
1/8" VERTICALLY

(PROVISIONED FOR STANDARD
#8 FASTENER AS APPROPRIATE
FOR MOUNTING TO SUBSTRATE)

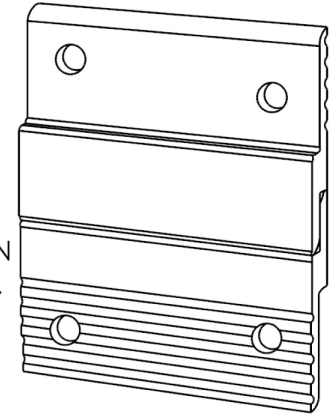
(SIDE VIEW)



TOP PART INSTALLED ON
PANEL BY LISTEN AUDIO.

THIS DIMENSION DENOTES THE "LIFT OFF"
OR LENGTH OF ENGAGEMENT

BOTTOM PART INSTALLED DIRECTLY
TO WALL BY CONTRACTOR/INSTALLER.



DIMENSIONS ARE IN INCHES
UNLESS OTHERWISE SPECIFIED
TOLERANCES:
XX = ± .010, XXX = ± .005
FRACTIONAL = ± 1/64
ANGULAR = 1°

	NAME	DATE
DRAWN		
CHECKED		
ENG. APPR.		
MFG. APPR.		

ARITHMETIC

P.O. BOX 11074
DENVER, CO 80211 TEL: 720-255-1604

THIS DOCUMENT AND THE PROPERTY CONTAINED
HEREIN IS THE PROPERTY OF ARITHMETIC DESIGN. ANY
REPRODUCTION, DISCLOSURE OR USE THEREOF,
IS PROHIBITED, EXCEPT AS AUTHORIZED, IN WRITING,
BY ARITHMETIC DESIGN, INC.
THE RECIPIENT ACCEPTS THE RESPONSIBILITY FOR
MAINTAINING THE CONFIDENTIALITY OF THE
CONTENTS OF THIS DOCUMENT.

MATERIAL:
FINISH:
DO NOT SCALE DRAWING

COMMENTS:

PART NO.		REV.
4' X 8' DIFFUSE		A
TITLE:		
DIFFUSE INSTALL TEMPLATE		
SCALE:	SHEET:	SHEET OF 2